



aerospace
climate control
electromechanical
filtration
fluid & gas handling
hydraulics
pneumatics
process control
sealing & shielding



Rotary Actuators

PV Series - Vane type

Catalogue PDE2648TCUK February 2012



ENGINEERING YOUR SUCCESS.

How do vane rotary actuators work



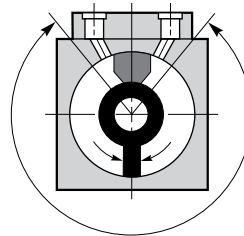
Vane actuators provide the maximum amount of output torque from the smallest possible envelope size. They convert pneumatic pressure into rotary motion for a wide variety of industrial applications.

A short cylindrical chamber encloses a vane attached to a central shaft. Air pressure is applied to one side of the vane. The opposite side of the vane is connected to exhaust. This produces rotation of the vane and thus the central shaft. Due to vane actuator design there will always be some internal bypass in these units and therefore they should not be used as a brake or to support loads.

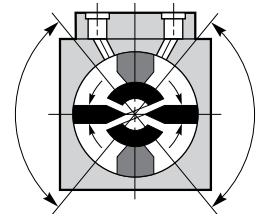
Two basic styles are available. Single vane models have a maximum rotation of 280°, while the double vane units produce twice the torque output from identical envelope dimensions and have a maximum rotation of 100°.

Technical information

Type		Double acting actuator
Standard Rotation (tolerance ± 1°)	Single vane	0 to 275°, size 10 to 11 0 to 280°, size 22 to 23
	Double vane	0 to 95°, size 10 to 11 0 to 100°, size 22 to 33
Temperature		-10°C to +80°C
Air supply		Lubricated or non-lubricated
Pressure range		2 to 10 bar max



Single vane
280° rotation



Double vane
100° rotation

Materials:

- End cap : Hard anodised aluminium
- Tubing : Hard anodised aluminium smooth profile
- Shaft : Stainless steel
- Bearing : PTFE coated bearing
- Vane : Hard anodised aluminium extrusion
- Seals : Nitrile

Through rod facility size 22 and 33

The two larger sizes of Vane Actuators are through rod as standard. The through rod facility enables linkages to be connected to both ends of the unit, maximising the design flexibility.

This also enables the unit to be equipped with a kit providing full adjustment of the angle of rotation. The kit can be supplied complete with or without inductive sensors.

These options can be assembled when ordered the actuator or can be added later.

Features

End caps : are precision machined from aluminium, then hard anodised to ensure long seal life and low breakaway pressure.

Vane : A hard anodised aluminium extrusion permanently affixed to shaft, forming a structurally sound assembly. The light weight also reduces inertia allowing faster operating speeds.

Vane seal : A special self lubricating, abrasion resistant nitrile compound is moulded into a one piece vane seal, providing low breakaway pressure and long life, even with no lubrication. The vane seal is also removable so that field repairs can be made, if necessary.

Bearing : Hard anodised aluminium end caps with bearing cartridge provides substantial shaft support and wear resistance, ensuring high performance and long life.

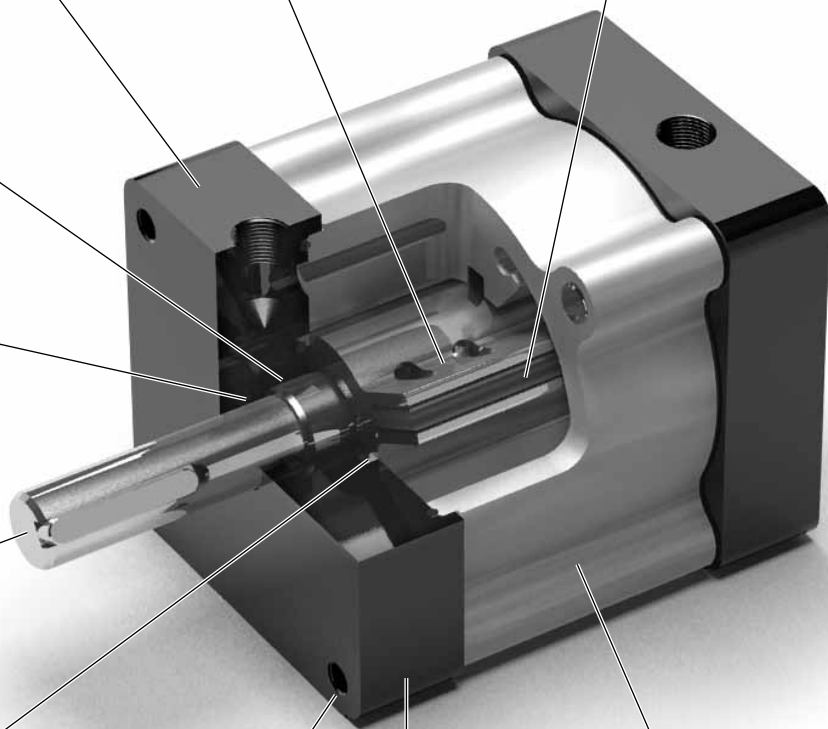
Shaft seal : The high quality self lubricated, abrasion resistant nitrile seal has multiple lobe construction for leak free operation and greater reliability.

Shaft : Stainless steel provides high strength and corrosion resistance for the most demanding applications.

Shoulder seal : A nitrile energised glass filled Teflon seal is used to minimise bypass flow and friction, providing superior performance and long life.

Mounting : Combination face and base mounting offer flexibility in application and design.

Body : is machined from one piece aluminium extrusion that incorporates the stator for superior rigidity. The extrusion is hard anodised and Teflon impregnated, which gives long seal life and low breakaway pressure.



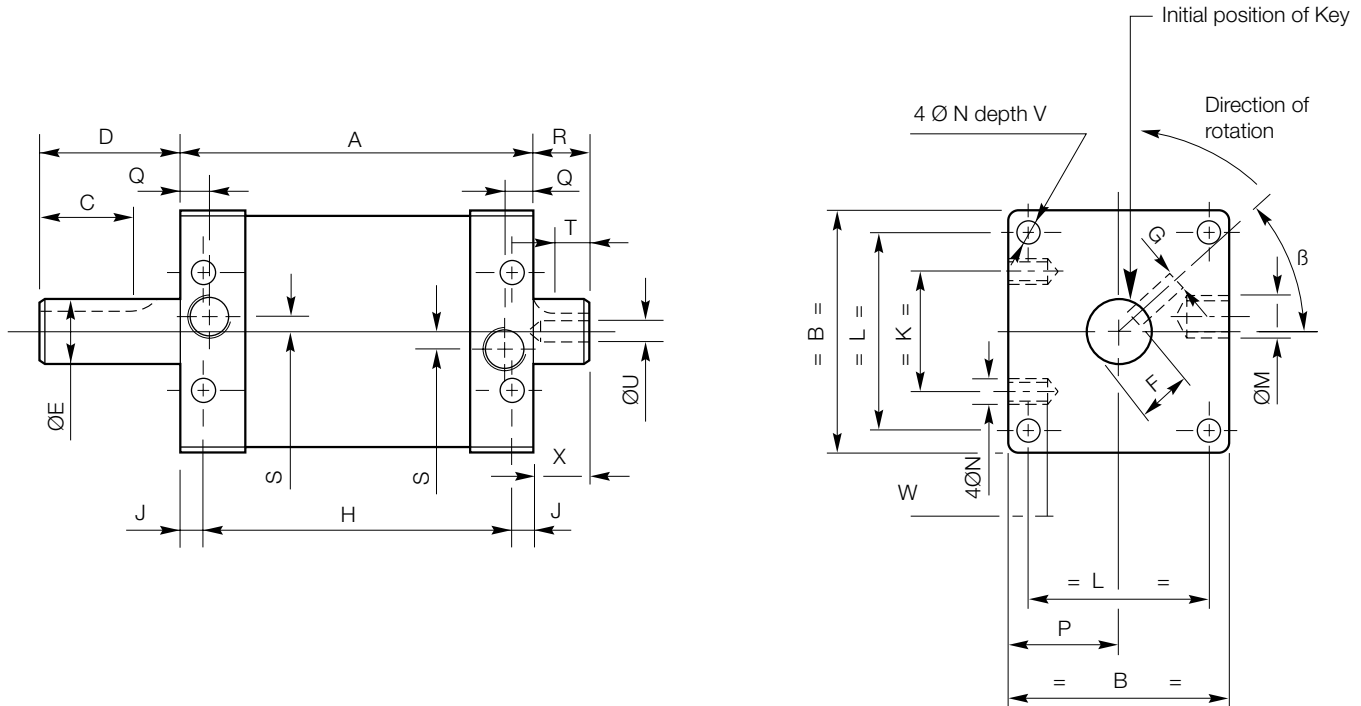
Technical Information

Size	Max rotation (o)	Torque Nm			Max. breakaway pressure (bar)	Max. radial load (N)	Max. thrust load (N)	Unit weight (kg)	Adjustment kit weight (kg)
		3 bar	5 bar	6 bar					
10	275	0.25	0.49	0.69	1.7	40	15	0.16	-
	95	0.54	1.09	1.47					
11	275	0.54	1.09	1.47	1.3	40	15	0.20	-
	95	1.28	2.40	3.05					
22	280	2.46	4.92	6.39	1.0	100	40	0.70	0.35
	100	5.90	10.92	13.27					
33	280	5.90	11.47	14.47	1.0	200	70	1.60	0.45
	100	13.76	25.12	30.96					

Note: PV series vane actuators have a permissible bypass leakage rate of 0.1 dm³/s at 7 bar.

The choice of the size depends upon the pressure and the external constraints - a safety factor of 30% is required for the selection.

Basic dimensions



β = 42.5° for sizes 10 & 11
 40° for sizes 22 & 33

Size	A	B	C	D	ØE (f7)	F	G ((P9))	H	J	K	L	ØM	N	P	Q	R	S	T	ØU	V	W	X
10	35	41	15.5	22	8	6.8	2	25	5	19	31	M5	M4	20.5	5	1	4.2	-	-	6	8	-
11	51	41	15.5	22	8	6.8	2	41	5	19	31	M5	M4	20.5	5	1	4.2	-	-	6	8	-
22	82	63.5	25.5	36	12	9.5	4	69	6.5	32	51	G1/8	M6	31.8	8	18	0	10	M5	11	10	15
33	112	76	30	45	20	16.5	6	98	7	38	62	G1/4	M8	38.0	9	18	0	11	M6	11	12	15

Vane actuator with angle adjustemnt size 22 and 33

The kit is assembled at the rear of the actuator and provides adjustment of:-

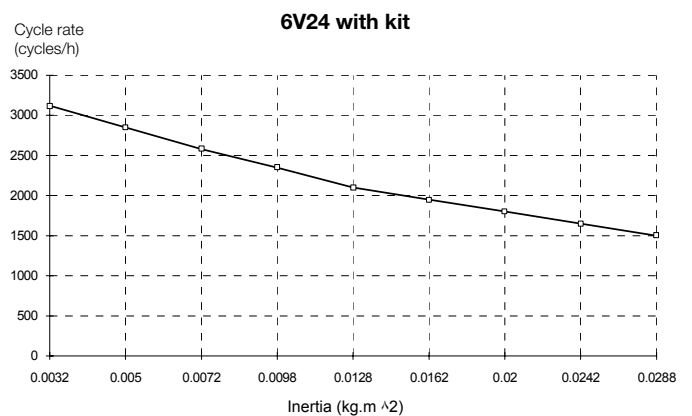
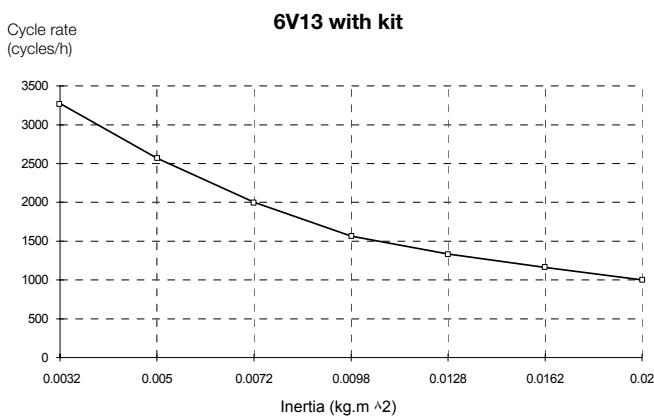
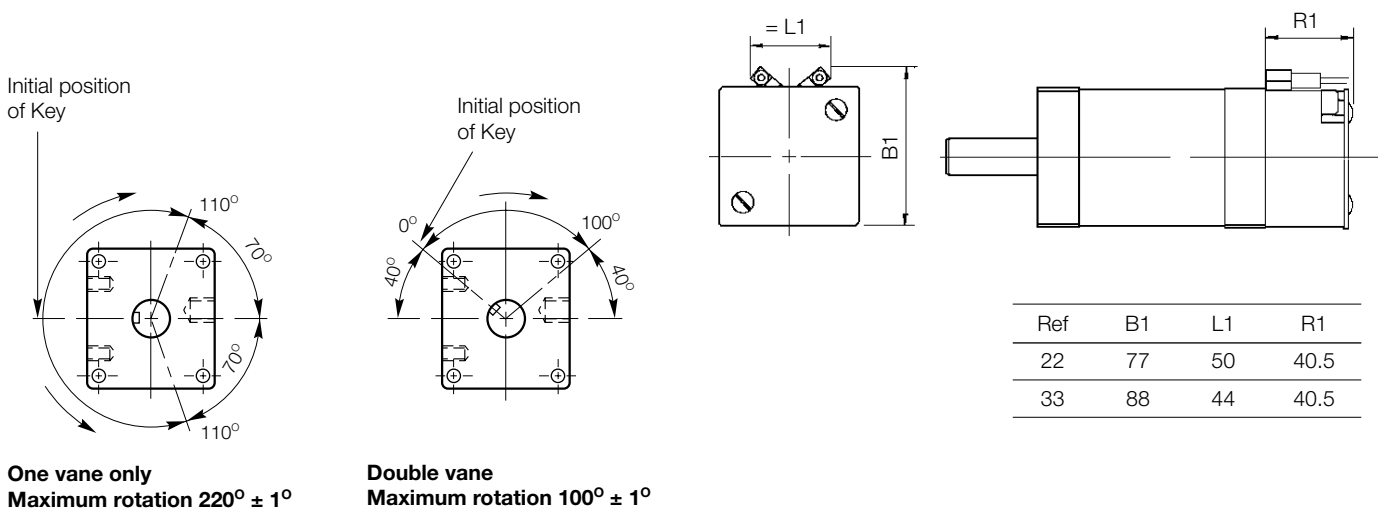
-0 to 100° for the double vane actuator

-0 to 220° for the single vane actuator

End stop cushioning is provided by buffers

Inductive sensors M8 with 90° plug-in and LED facility (PNP or NPN) can be added to the kit for end stop detection.

The angle adjustment is attained by moving the end stops at the rear of the actuator. To facilitate this adjustment there is a position indicating disk on the rear face of the unit.



Inertia calculation

$I = M \times d^2$
 $I = \text{kg. m}^2$
 $d = \text{meter } M = \text{kg}$

Note: Maximum length of lever: Size 22 = 50 mm (d)
 Size 33 = 60 mm (d)

How to order**Part nos. basic units**

Size	Part no.	Max. rotation	Type	Shaft
10	6V5100010F-275	275 ^o	Single	Not Through Rod
	6V5100010F-095	95 ^o	Double	
11	6V5200010F-275	275 ^o	Single	
	6V5200010F-095	95 ^o	Double	
22	6V1300030F-275	280 ^o	Single	Through Rod
	6V1300030F-100	100 ^o	Double	
33	6V2400030F-275	280 ^o	Single	
	6V2400030F-100	100 ^o	Double	

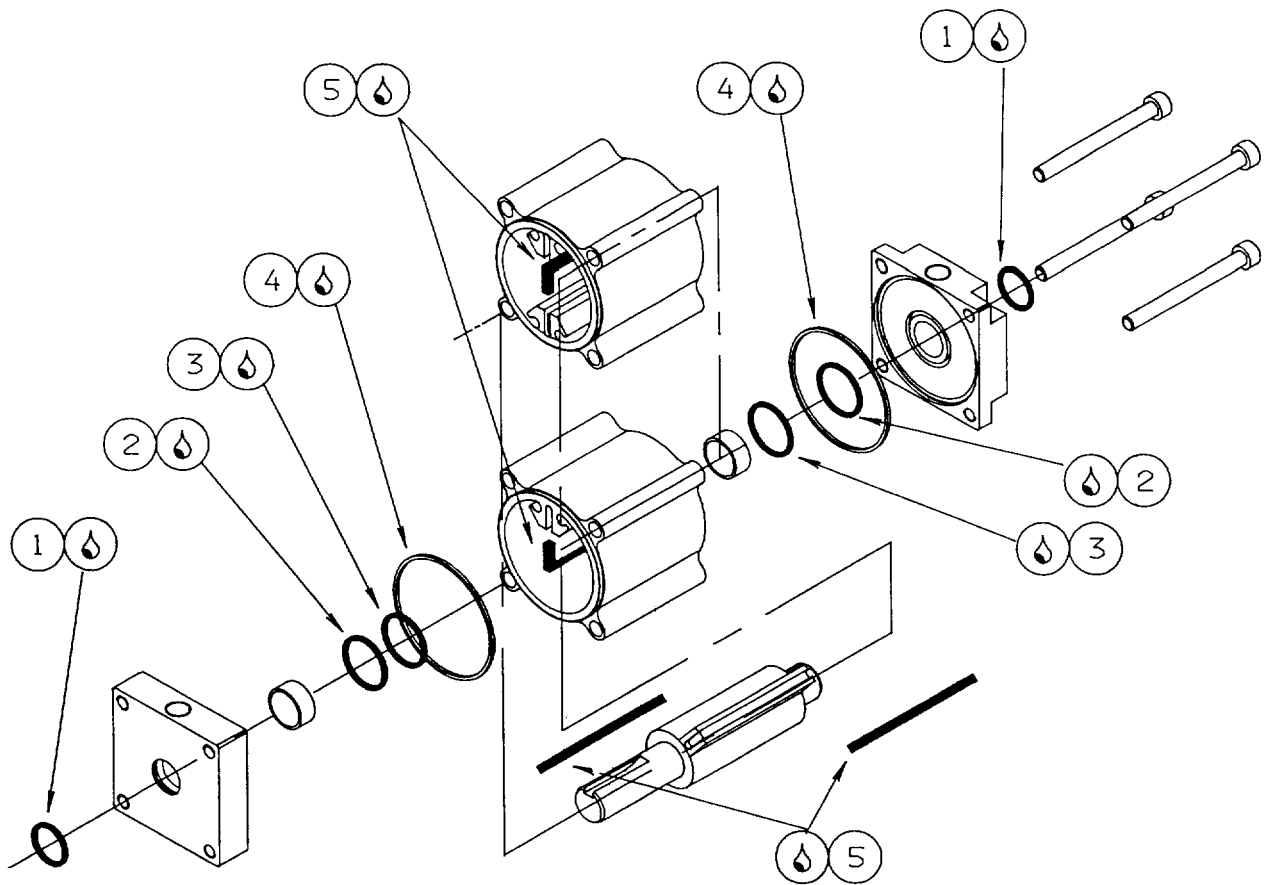
Part nos. basic units


Size	Part no.	Max. rotation	Type	Options
22	6V1357630F-220	220 ^o	Single	Angle adjustment kit
	6V1357730F-100	100 ^o	Double	
	6V1357635F-220	220 ^o	Single	As above + PNP Sensors + plug
	6V1357735F-100	100 ^o	Double	
	6V1357636F-220	220 ^o	Single	As above + NPN Sensors + plug
	6V1357736F-100	100 ^o	Double	
33	6V2457630F-220	220 ^o	Single	Angle adjustment kit
	6V2457730F-100	100 ^o	Double	
	6V2457635F-220	220 ^o	Single	As above + PNP Sensor + plug
	6V2457735F-100	100 ^o	Double	
	6V2457636F-220	220 ^o	Single	As above + NPN Sensor + plug
	6V2457736F-100	100 ^o	Double	

Part nos. angle adjustment and sensor kits

Size	Part no.	Options
22	6V03570	Angle adjustment kit
	6V03575	Angle adjustment kit with sensors PNP
	6V03576	Angle adjustment kit with sensors NPN
33	6V04570	Angle adjustment kit
	6V04575	Angle adjustment kit with sensors PNP
	6V04576	Angle adjustment kit with sensors NPN

Repair Kits



 Lubricate with grease Parker ref : **3099**

Size	Type	Part no.	Components				
			1 Shaft seal	2 Teflon seal	3 Shoulder seal	4 'O' ring	5 Vane seal
10	Single	PSK-PV10	2	2	2	2	2
10	Double	PSK-PV10D	2	2	2	2	4
11	Single	PSK-PV11	2	2	2	2	2
11	Double	PSK-PV11D	2	2	2	2	4
22	Single	PSK-PV22	2	2	2	2	2
22	Double	PSK-PV22D	2	2	2	2	4
33	Single	PSK-PV33	2	2	2	2	2
33	Double	PSK-PV33D	2	2	2	2	4

Parker Worldwide

Europe, Middle East, Africa

AE – United Arab Emirates, Dubai
Tel: +971 4 8127100
parker.me@parker.com

AT – Austria, Wiener Neustadt
Tel: +43 (0)2622 23501-0
parker.austria@parker.com

AT – Eastern Europe, Wiener Neustadt
Tel: +43 (0)2622 23501 900
parker.easteurope@parker.com

AZ – Azerbaijan, Baku
Tel: +994 50 2233 458
parker.azerbaijan@parker.com

BE/LU – Belgium, Nivelles
Tel: +32 (0)67 280 900
parker.belgium@parker.com

BY – Belarus, Minsk
Tel: +375 17 209 9399
parker.belarus@parker.com

CH – Switzerland, Etoy
Tel: +41 (0)21 821 87 00
parker.switzerland@parker.com

CZ – Czech Republic, Klecany
Tel: +420 284 083 111
parker.czechrepublic@parker.com

DE – Germany, Kaarst
Tel: +49 (0)2131 4016 0
parker.germany@parker.com

DK – Denmark, Ballerup
Tel: +45 43 56 04 00
parker.denmark@parker.com

ES – Spain, Madrid
Tel: +34 902 330 001
parker.spain@parker.com

FI – Finland, Vantaa
Tel: +358 (0)20 753 2500
parker.finland@parker.com

FR – France, Contamine s/Arve
Tel: +33 (0)4 50 25 80 25
parker.france@parker.com

GR – Greece, Athens
Tel: +30 210 933 6450
parker.greece@parker.com

HU – Hungary, Budapest
Tel: +36 1 220 4155
parker.hungary@parker.com

IE – Ireland, Dublin
Tel: +353 (0)1 466 6370
parker.ireland@parker.com

IT – Italy, Corsico (MI)
Tel: +39 02 45 19 21
parker.italy@parker.com

KZ – Kazakhstan, Almaty
Tel: +7 7272 505 800
parker.easteurope@parker.com

NL – The Netherlands, Oldenzaal
Tel: +31 (0)541 585 000
parker.nl@parker.com

NO – Norway, Asker
Tel: +47 66 75 34 00
parker.norway@parker.com

PL – Poland, Warsaw
Tel: +48 (0)22 573 24 00
parker.poland@parker.com

PT – Portugal, Leca da Palmeira
Tel: +351 22 999 7360
parker.portugal@parker.com

RO – Romania, Bucharest
Tel: +40 21 252 1382
parker.romania@parker.com

RU – Russia, Moscow
Tel: +7 495 645-2156
parker.russia@parker.com

SE – Sweden, Spånga
Tel: +46 (0)8 59 79 50 00
parker.sweden@parker.com

SK – Slovakia, Banská Bystrica
Tel: +421 484 162 252
parker.slovakia@parker.com

SL – Slovenia, Novo Mesto
Tel: +386 7 337 6650
parker.slovenia@parker.com

TR – Turkey, Istanbul
Tel: +90 216 4997081
parker.turkey@parker.com

UA – Ukraine, Kiev
Tel: +380 44 494 2731
parker.ukraine@parker.com

UK – United Kingdom, Warwick
Tel: +44 (0)1926 317 878
parker.uk@parker.com

ZA – South Africa, Kempton Park
Tel: +27 (0)11 961 0700
parker.southafrica@parker.com

North America

CA – Canada, Milton, Ontario
Tel: +1 905 693 3000

US – USA, Cleveland
Tel: +1 216 896 3000

Asia Pacific

AU – Australia, Castle Hill
Tel: +61 (0)2-9634 7777

CN – China, Shanghai
Tel: +86 21 2899 5000

HK – Hong Kong
Tel: +852 2428 8008

IN – India, Mumbai
Tel: +91 22 6513 7081-85

JP – Japan, Tokyo
Tel: +81 (0)3 6408 3901

KR – South Korea, Seoul
Tel: +82 2 559 0400

MY – Malaysia, Shah Alam
Tel: +60 3 7849 0800

NZ – New Zealand, Mt Wellington
Tel: +64 9 574 1744

SG – Singapore
Tel: +65 6887 6300

TH – Thailand, Bangkok
Tel: +662 186 7000 99

TW – Taiwan, Taipei
Tel: +886 2 2298 8987

South America

AR – Argentina, Buenos Aires
Tel: +54 3327 44 4129

BR – Brazil, Sao Jose dos Campos
Tel: +55 800 727 5374

CL – Chile, Santiago
Tel: +56 2 623 1216

MX – Mexico, Apodaca
Tel: +52 81 8156 6000

European Product Information Centre

Free phone: 00 800 27 27 5374

(from AT, BE, CH, CZ, DE, DK, EE, ES, FI, FR, IE, IL, IS, IT, LU, MT, NL, NO, PL, PT, RU, SE, SK, UK, ZA)

Parker Hannifin Manufacturing Ltd

Tachbrook Park Drive
Tachbrook Park,
Warwick, CV34 6TU
United Kingdom
Tel.: +44 (0) 1926 317 878
Fax: +44 (0) 1926 317 855
parker.uk@parker.com
www.parker.com

